

KEY TO PLANT LIST

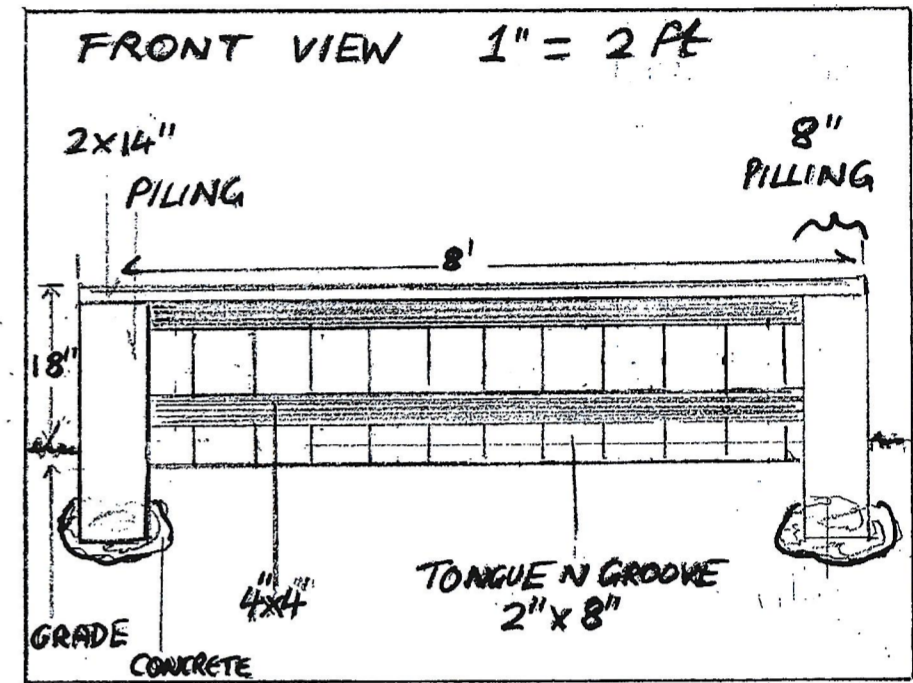
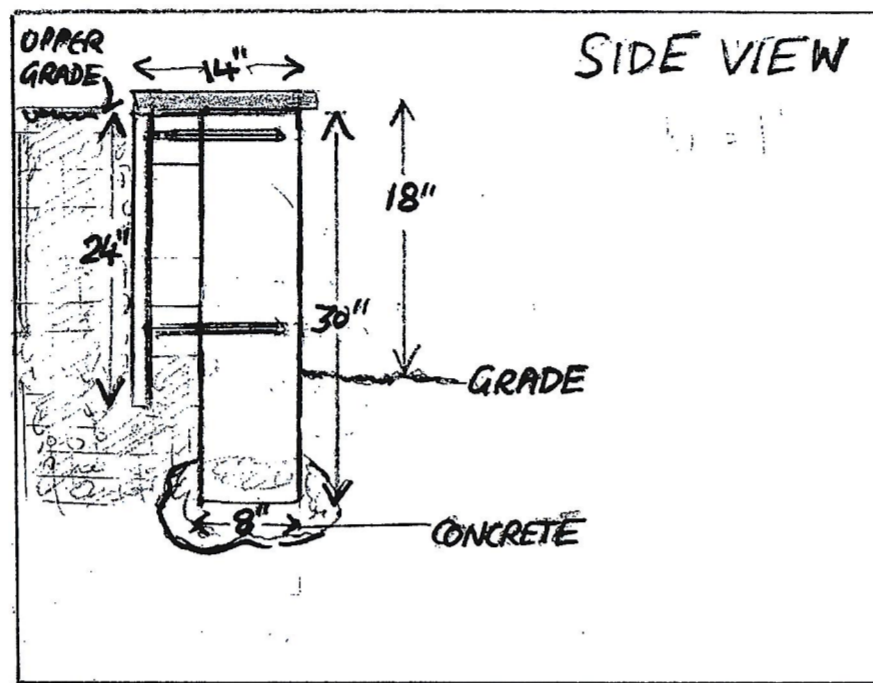
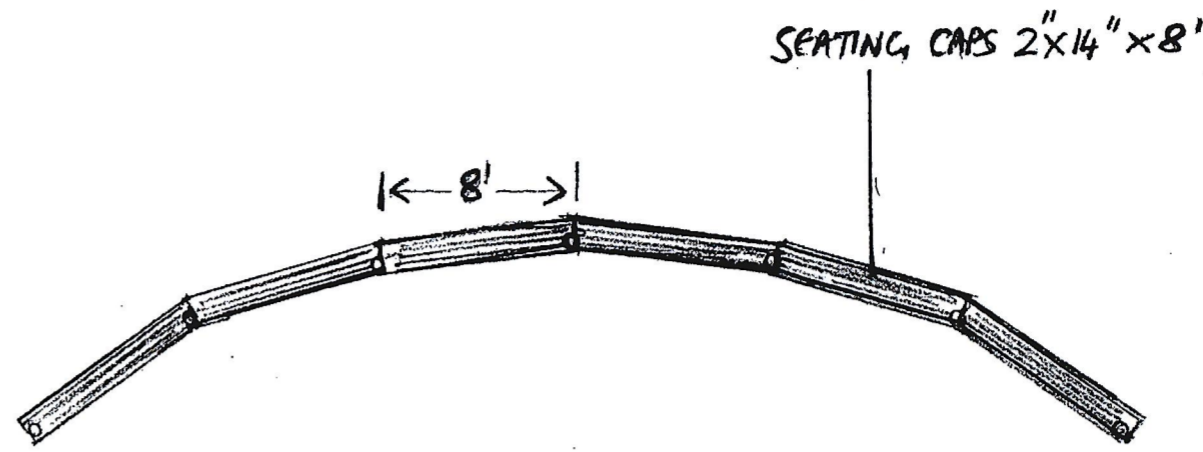
LATIN NAME (COMMON NAME) COMMENTS
TREES AND SHRUBS

- 1 ACER RUBRUM (RED MAPLE) B, M
- 2 MYRICA PENNSYLVANICA (NORTHERN BAYBERRY) B, M
- 3 AMELANCHIER CANADENSIS (SERVICEBERRY) B, P, M
- 4 CERCIS CANADENSIS (REDBUD) P, B, M, Bu (EXISTING)
- 5 MAGNOLIA VIRGINIANA (SWEETBAY MAGNOLIA) P, B, M
- 6 CLETHRA ALONIFOLIA (SUMMERSWEET) P, Bu, B, H, M
- 7 ARONIA ARBUTIFOLIA (RED CHOKEBERRY) P, B, M
- 8 MELONCARPA (BLACK CHOKEBERRY) P, B, M
- 8 ILEX GLABRA (INKBERRY) B, P, M
- 9 ILEX VERTICILLATA (WINTERBERRY) B, M
- 10 CEPHALANTHUS OCCIDENTALIS (BUTTONBUSH) B, M, P
- 11 RHUS AROMATICA (FRAGRANT SUMAC) P, B, M
- 12 RHODODENDRON PERICLYMENOIDES (PINXTER AZALEA) Bu, B, M
- 13 SAMBUCUS CANADENSIS (ELDERBERRY) P, Bu, B, M
- 14 VACCINIUM CORYMBOSUM (HIGHBUSH BLUEBERRY) P, B, Bu, M
- 15 VIBURNUM DENTATUM (SOUTHERN ARROWWOOD) M, B,

PERENNIALS AND GRASSES

- a HELENIUM AUTUMNALE (COMMON SNEEZEWEEED) Bu, P
- b SILPHIUM PERFOLIATUM (CUP PLANT) P
- c ASTER NOVI BELGII (NEW YORK ASTER) P, Bu
- d IRIS VERSICOLOR (BLUE FLAG IRIS) B, M, Bu, H
- e RUDBECKIA LACINIATA (COTLEAF CONEFLOWER) Bu, B, P
- f MIX OF MATTEUCCIA STRUTHIOPTERIS (OSTRICH FERN) AND MERTENSIA VIRGINICA (VIRGINIA BLUEBELLS)
- g OSMUNDA CINNAMOMEA (CINNAMON FERN)
- h OSMUNDA REGULARIS (ROYAL FERN)
- i MIX OF GENTIANA CLAUZA (CLOSED GENTIAN)
- LOBELIA CARDINALIS (CARDINAL FLOWER) H, Bu, B, P
- j IMPATIENS CAPENSIS (JEWELL WEED) H, P, M, B, I
- k ACTAEA RACEMOSA (BLACK COHOSH) P, Bu
- l PHLOX DIVARICATA (WILD BLUE PHLOX) Bu
- m CHELONE GLABRA (TURTLEHEAD) Bu, H
- n TARELLA CORDIFOLIA (FOAMFLOWER) P
- o MIX OF CAREX STRICTA (TUSSOCK GRASS) B, I AND SYMBOCARPUS FOETIDUS (SKUNK CABBAGE) B, I
- p MIX OF EUPATORIUM DUBIUM (JOE PYE WEED) P, Bu, B, I AND LOBELIA SIPHILITICA (GREAT BLUE LOBELIA) P, Bu
- q LIATRIS SPICATA (GAYFEATHER) Bu, P, B, I
- r ELYMUS HYSTRIX (BOTTLEBRUSH GRASS)
- s MONARDA FISTULOSA (WILD BERGAMOT) H, Bu
- t ASCLEPIAS TUBEROSA (BUTTERFLY WEED) P, Bu
- u HIBISCUS "LORD & LADY BALTIMORE" (PERENNIAL HIBISCUS) H
- v PANICUM VIRGATUM "HEAVY METAL" (SWITCHGRASS) B, I

SKETCHES TO SHOW SEATING CONSTRUCTION; INSTALLED IN A "MARINE BULKHEAD STYLE" WITH VISIBLE PILING TO REFERENCE THE CHESAPEAKE BAY.



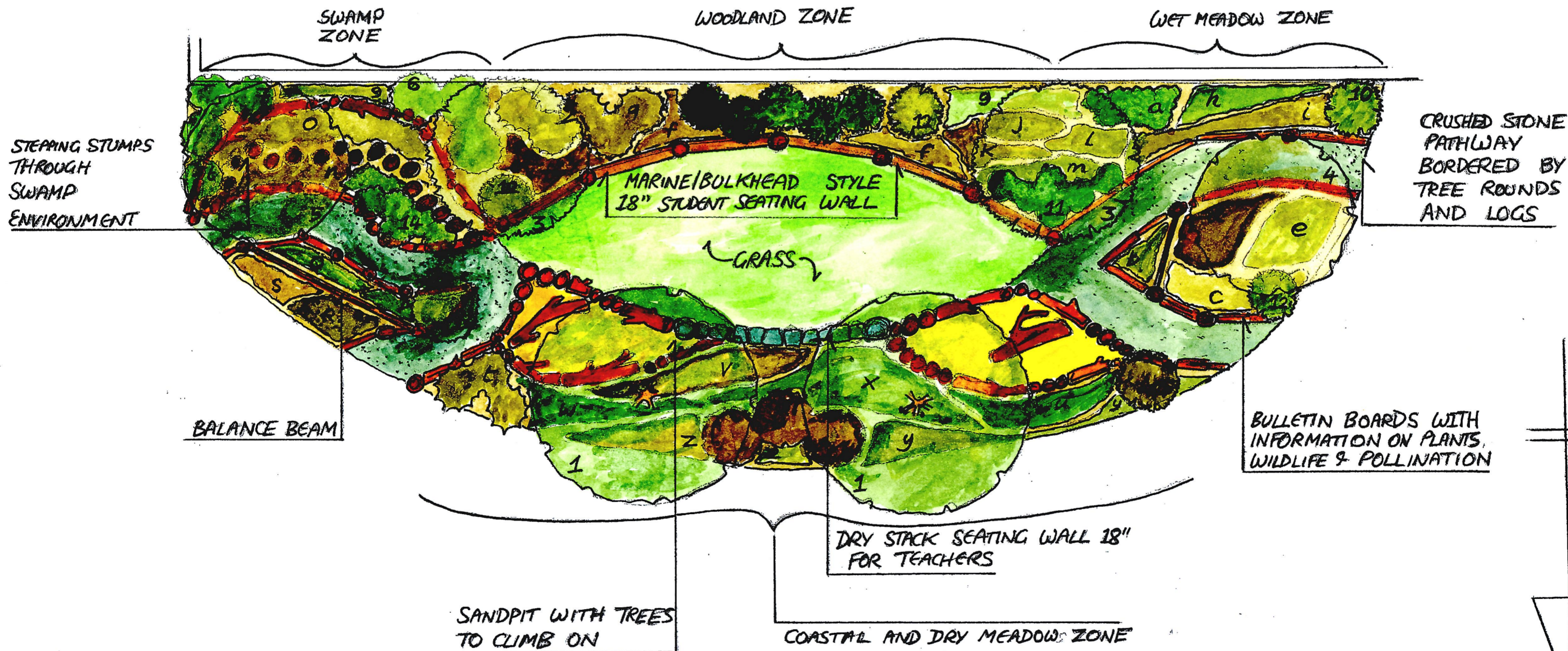
PERENNIALS AND GRASSES CONT.

- v SCHIZACHYRIUM SCOPARIUM (LITTLE BLUESTEM) B, I
- w ANDROPOGON VIRGINICUS (BROOMSEDGE) B, M
- x SOLIDAGO SEMPERVIRENS (GOLDEN ROD) B, Bu, P, M
- y LIATRIS SQUARROSA (SCALY BLAZING STAR) P, Bu, B, I
- z MONARDA DIDYMA (BEEBALM) H, P, Bu

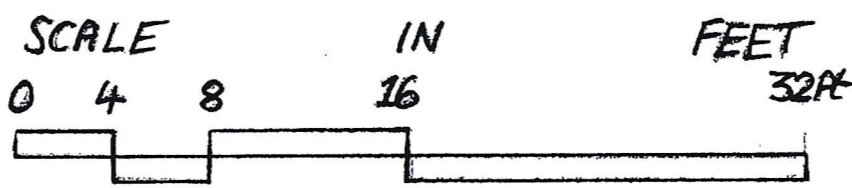
KEY TO COMMENTS ON PLANTS

- P POLLINATOR
- B, I ATTRACTS BIRDS
- Bu ATTRACTS BUTTERFLIES
- H ATTRACTS HUMMINGBIRDS
- M ATTRACTS SMALL MAMMALS

EXISTING SCHOOL BUILDING



THE ZONES REPRESENTED IN THIS DESIGN ARE INTENDED TO INTRODUCE STUDENTS TO SOME OF THE DIFFERENT ENVIRONMENTS FOUND THROUGHOUT THE CHESAPEAKE BAY REGION. THE PLANTS ARE ALL NATIVE TO THE MID ATLANTIC AND HAVE BEEN SELECTED FOR THEIR POLLINATION AND WILDLIFE VALUE



LANDSCAPE DESIGN FOR HAMPDEN ELEMENTARY / MIDDLE SCHOOL; A CHESAPEAKE LANDSCAPE
AN OUTDOOR CLASSROOM WITH NATIVE POLLINATOR LANDSCAPE
DESIGN BY INTERNATIONAL LANDSCAPING & DESIGN
DRAWN BY ASHLEY G. KIDNER
SCALE 1" (INCH) = 8' (FEET) | DATE OCT 2020
FUNDING GENEROUSLY PROVIDED BY ROYAL FARMS